

CRESTLINE SANITATION DISTRICT

MEMORANDUM

DATE: 01/11/2024

TO: BOARD OF DIRECTORS
Crestline Sanitation District

FROM: DAWN GRANTHAM
General Manager

SUBJECT: Washer Compactor for Bar Screen at HC WWTP

A. RECOMMENDATION

I recommend to purchase a SAVI Flo-WashPress Washer Compactor in an amount not to exceed \$65,000. This amount will cover taxes and any additional field service occurring over the two days currently included.

B REASON FOR RECOMMENDATION

Currently the rags (towels, “disposable” wipes, diapers, etc.) that are raked from the bar screen are dropped into a trash bin from Burrtec and then hauled off for disposal. The rags are wet and saturated with organics, and leak out of the truck. Burrtec has let the district know that they will be refusing to haul the soaked rags in the near future. The washer compactor will clean the rags and almost completely dry them before being tossed into the bin. Burrtec stated that this will be acceptable.

C. FISCAL INFORMATION

For fiscal year 2023/2024 the Board set aside \$65,000 in the CIP budget. Quote from Coombs Hopkins is expected to be \$62,500.

D. ATTACHMENTS

Quote from Coombs Hopkins
Sole Source Letter from SAVECO

Scope of Supply

Project:

Crestline Sanitary District

Equipment:

SAVI Flo-WashPress Washer Compactor Model VWP1

Represented By:

Coombs Hopkins

Casey Rebmann

Phone: 760.525.6139

Email: casey@chcwater.com

Regional Sales Manager:

SAVÉCO North America, Inc.

Charles Baines

Phone: 208.550.3431

Email: Charles.baines@savecowaterna.com

Project No.: WEC22320

November 10, 2023



SAVECO® North America, Inc.
Formerly Enviro-Care®
1570 St. Paul Ave.
Gurnee, IL 60031
P: 815.636.8306 • F: 847.672.7968
www.enviro-care.com • ecsales@enviro-care.com

ITEM "A": One (1) SAVI Flo-WashPress Washer Compactor
Model VWP1



BASIS OF DESIGN (EACH)

Application:	Municipal Headworks
Screenings Capacity:	70 ft ³ /hr
Screw Diameter:	7.3 inches
Screenings Discharge Height:	5 feet
Discharge Piping Length:	7.5 feet
Spray Wash Water:	10 gpm at 60 psi

SCREENINGS COMPACTOR (EACH)

- Screenings washer and compactor from type 304 stainless steel.
- Discharge chute and inlet hopper from type 304 stainless steel.
- Torsion resistant, epoxy coated, decreasing pitch, shafted auger of high strength, alloy steel.
- Six (6) wear bars from stainless steel shall be located at the discharge end of the compaction auger.
- Washing/compacting zone to be equipped with spray nozzles to wash organic material from the screenings.
- A second set of spray nozzles to be located at the end of the compaction zone to maximize washing.
- The bottom of the washing/compaction zone shall be a 5 mm perforated screen to allow wash water to discharge to the drain housing.
- Drainage collection pan with 2.5 inch dia outlet connection and 1/2 inch NPT flush water connection from type 304 stainless steel.
- Discharge piping from type 304 stainless steel.
- Washer/compactor electric drive motor 5 HP TEFC 1760 rpm suitable for 230/460/3/60 supply with gear reducer mounted directly onto auger drive shaft.
- Support legs, stand and frame – 304 stainless steel.
- Anchor bolts – 304 stainless steel.
- Fasteners – 304 stainless steel.
- Shop surface preparation, stainless steel passivation and painting as required.

CONTROL PANEL AND INSTRUMENTATION (TOTAL)

- One (1) NEMA 4X type 304 stainless steel wall mount main control panel suitable for 480/3/60 electrical supply. Control panel shall contain the following control devices for operation of the compactor.

1. Main disconnect with through door interlock handle.
2. Control transformer 480/120.
3. Branch circuit protection.
4. Screen motor starter (IEC), with overload.
5. Load monitor for screen motor overtorque/overload protection.
6. Emergency stop pushbutton.
7. HOA switch.
8. FOR switch, spring return reverse to off.
9. Open-Close-Auto switch for each solenoid valve.
10. Hour meter for motor.
11. Run indicating lights.
12. Alarm lights indicating overcurrent and starter overload.
13. Alarm reset pushbutton.
14. Programmable control relay for screen control logic functions.
15. Run and alarm auxiliary contacts.
16. UL Label.

- One (1) NEMA 4X Emergency Stop pushbutton station.
- Two (2) NEMA 4X brass body wash water solenoid valves.

FIELD SERVICE (TOTAL)

- Site service of one (1) trip for a total of two (2) days for installation inspection, startup and operator training.

CLARIFICATIONS/COMMENTS

- None.

NOTE: ANY ITEM NOT LISTED ABOVE TO BE FURNISHED BY OTHERS

EXCLUSIONS

Taxes, electrical wiring, conduit or electrical equipment, piping, valves, or fittings, shimming material, lubricating oil or grease, shop or field painting, field welding, erection, hoist or lifting apparatus, detail shop fabrication drawings, performance testing, unloading, storage, concrete work, civil design, grating, platforms, stairs, hand railing, dumpster (except as specifically noted).

This proposal section has been reviewed for accuracy and is approved for issue:

By: Todd Campbell Date: November 10, 2023

Price

Item	Equipment	Price
A	One (1) SAVI Flo-WashPress Washer Compactor Model VWP1	\$58,129

Validity:

Prices are valid for a period of 30 days from the date of this proposal.

Warranty Statement and Term:

SAVÉCO North America, Inc. warrants the supplied equipment to the original end user against defects in workmanship or material under normal use and service in compliance with the original design specifications and the maintenance requirements and instructions as found in the Operations & Maintenance Manual. All SAVÉCO North America supplied equipment is warranted for 12 months from date of start-up or 18 months from date of shipment, whichever occurs first.

Warranty Exclusions:

This warranty does not cover costs for standard and/or scheduled maintenance performed, nor does it cover consumables and SAVÉCO North America parts that, by virtue of their operation, require replacement through normal wear (aka: Wear Parts), unless a defect in material or workmanship can be determined by SAVÉCO North America. Wear parts are defined as brushes, rollers, spray nozzles, drum seals and other items specifically identified in the Operations & Maintenance Manual.

Warranty Coverage:

SAVÉCO North America's liability is limited to the supply or repair of defective parts returned, freight prepaid by buyer to a location specified by SAVÉCO North America. Repaired or replacement parts will be shipped to buyer prepaid via standard ground freight. Express or expedited shipments will be at the expense of the buyer.

Exclusions and Exceptions:

This Warranty excludes damage or wear to equipment caused by misapplication of product, improper maintenance, accident, abuse, unauthorized alteration or repair, Acts of God, or installation or operation that is non-compliant with SAVÉCO North America installation and operations instructions.

Limited Liability:

SAVÉCO North America shall not under any circumstances be liable for any incidental or consequential damages arising from loss, damage to property, personal injury or other damage or losses owing to the failure of SAVÉCO North America's equipment. The liability of SAVÉCO North America, Inc. is limited as set forth above within the time period set forth above.

Term: 15% with Submittal Approval
 80% Net 30 Days after Shipment
 5% Net 30 days after Startup. Startup not to exceed 180 days from equipment delivery.

Taxes: No sales or use taxes have been included in our pricing.

Freight: Prices quoted are F.O. B. shipping point with freight allowed to a readily accessible location nearest jobsite. Any claims for damage or loss in shipment to be initiated by purchaser.

Submittals: Full submittals will be supplied approximately **4 to 6 weeks** after receipt and acceptance of purchase order at the SAVÉCO North America offices.

Shipment: Shipment time is approximately **20 to 22 weeks** after receipt of approved submittal is received at the SAVÉCO North America offices. Under no circumstances will verbal approval be accepted.

Additional Field Service: This service may be scheduled at \$1,600.00 per day plus expenses or is available through a yearly service contract.

Material of Construction: SAVÉCO North America is providing the equipment from the type of material specified for this project. If from 304L stainless steel the concentration of chloride and hydrogen sulfide (H₂S) in the equipment operating environment shall be kept below the following values:

- Chloride <200 mg/L
- Hydrogen Sulfide (H₂S) <6ppm

If not already done so, SAVÉCO North America can provide the equipment from 316L stainless steel for a price adder for environments that exceed the values noted above.

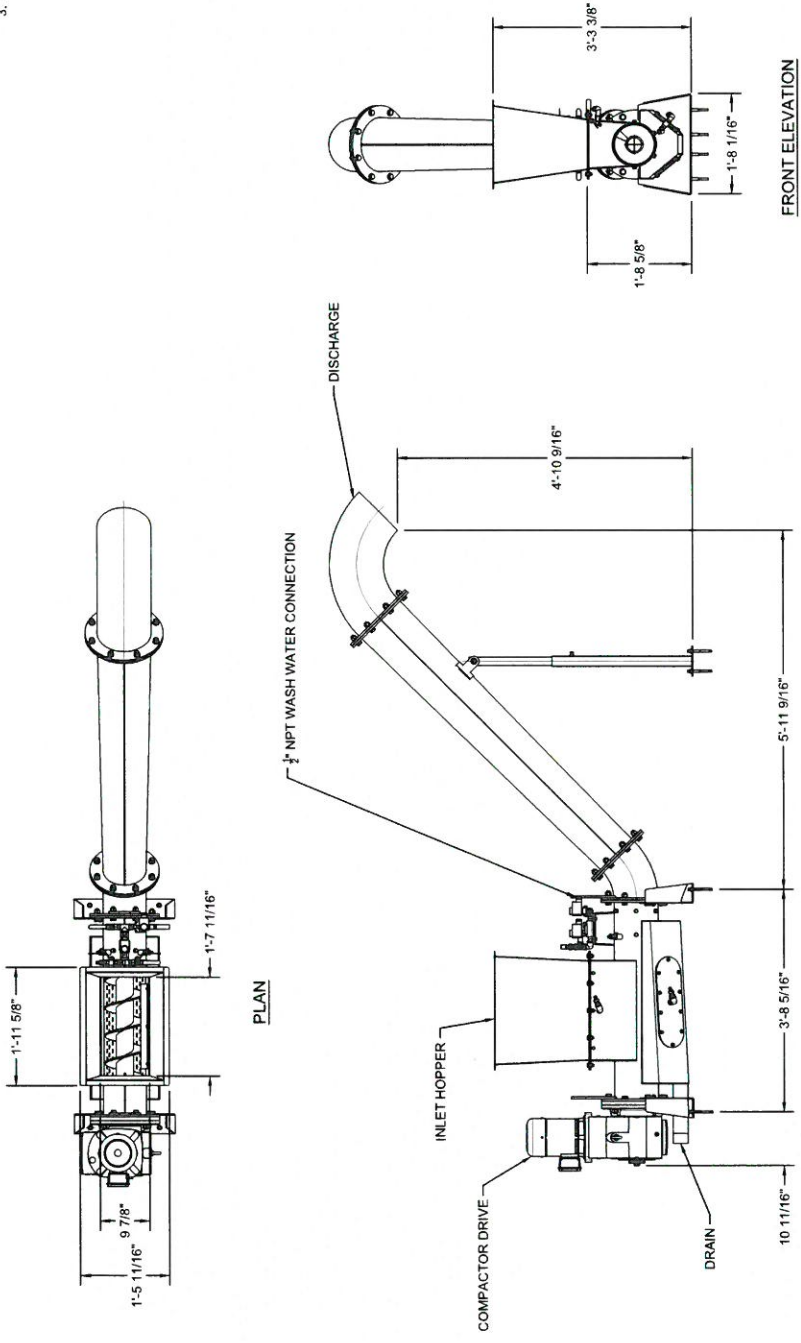
Please issue Purchase Orders to:

SAVÉCO® North America, Inc.
1570 St Paul Avenue
Gurnee, IL 60031

Attn: Todd Campbell
Phone: 224-302-0301
Email: todd.campbell@savecowatena.com

Accepted by Purchaser			
Accepted this ___ day of _____, 2022			
Buyer:		Telephone:	
TYPE BUYERS NAME			
By:		Email:	
	Authorized Signature		
By:			
	Print name of Authorized Signer		
Title			
	Title of Authorized Signer		
Bill To Address:		Ship To Address:	
Accepted by Seller			
Accepted this ___ day of _____, 2022			
Seller:	SAVECO® North America, Inc. dba Enviro-Care Company		
By:			
	Authorized Signature		

- NOTES:**
1. CONCRETE GROUT, INTERCONNECTING PIPING NOT BY SAVECO
 2. ALL INTERCONNECTING PIPING TO BE SELF SUPPORTING
 3. DRAWING NOT FOR CONSTRUCTION



SAVECO
Member of WAMGROUP
Formerly Enviro-Care

Project Information
PROJECT NAME:

Third Angle Projection

PROPRIETARY AND CONFIDENTIAL. THE PROPERTY OF SAVECO NORTH AMERICA, INC. (FORMERLY ENVIRO-CARE COMPANY). ANY REUSE OR REPRODUCTION OF THIS DRAWING WITHOUT THE WRITTEN PERMISSION OF SAVECO IS PROHIBITED. SAVECO RESERVES THE RIGHT TO ALTER DATA ON THE DESIGN OF ITS EQUIPMENT AT ANY TIME WITHOUT PRIOR NOTICE AND WITHOUT ANY OBLIGATION WHATSOEVER.

Status:	SALES DRAWING		
Title:	VWP1 SAVI FLO-WASHPRESS		
Designer:	MB29	Checker:	MB26
Date:	09-28-2021	Scale:	1/2" = 1'-0"
Sheet:	1 OF 1	Drawn Number:	VPW1
Revision:	-		



SAVECO® North America, Inc.
1570 St. Paul Ave.
Gurnee, IL 60031
P: 815.636.8306 • F:847.672.7968
www.savecowaterna.com • ecsales@savecowaterna.com

November 29, 2023

Project: Crestline Sanitation District, Huston Creek WWTP

Equipment: SAVI VWP wash press

The SAVECO® Wastewater Treatment Division is a subsidiary of the WAM Group. WAM Group is a multinational company in Solids Handling & Processing that started in 1969. The WAM Group has manufacturing on 5 continents and 2,100 employees, a global reach with local care. Our USA manufacturing facilities include a 40,000 square foot site in Atlanta GA, a 100,000 square foot site in Fort Worth Texas and our 24,000 square foot Sales, Engineering, & Warehouse facility in Gurnee, Illinois.

As the North American subsidiary of the WAM Group, SAVECO is the exclusive source for SAVI and other WAM Group products in the US and Canada. SAVECO maintains exclusive agreements with a network of Manufacturers Representatives throughout the country. In California, SAVECO products, including the SAVI VWP wash press and SAVI GVF600 multi-rake screen, are represented exclusively by Coombs-Hopkins and these manufacturers reps are the only source for all equipment provided by SAVECO in this territory.

Charles Baines
Western Region Sales Manager

